

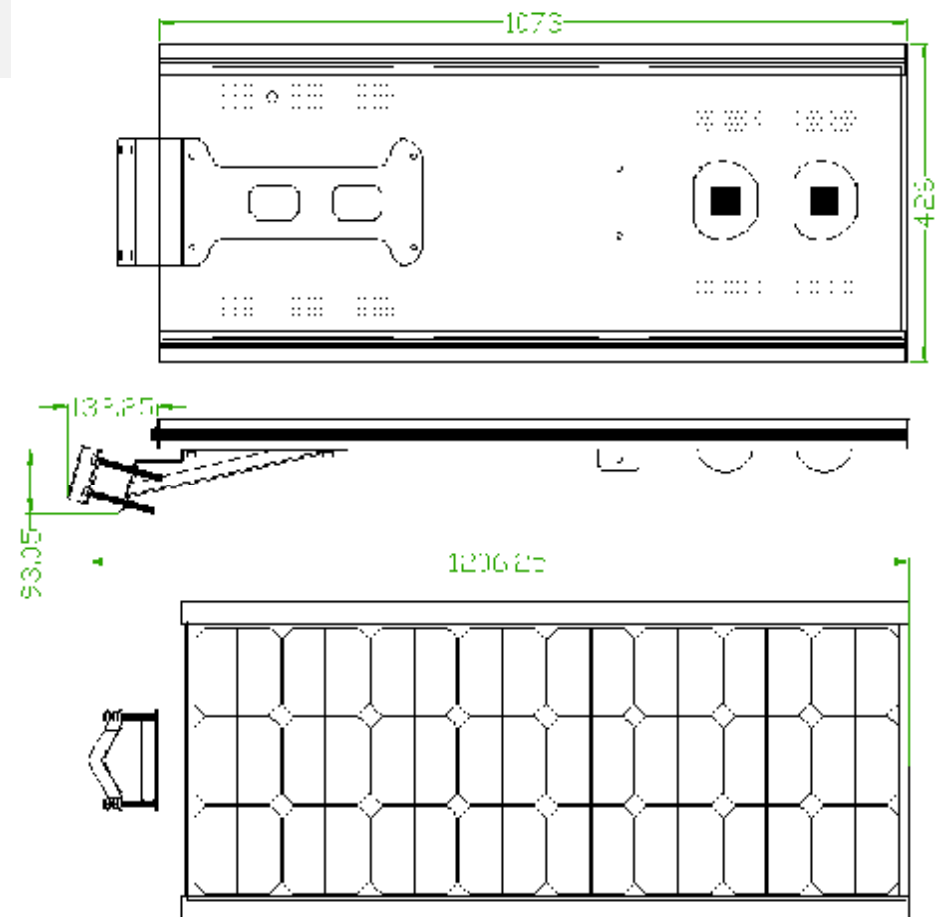
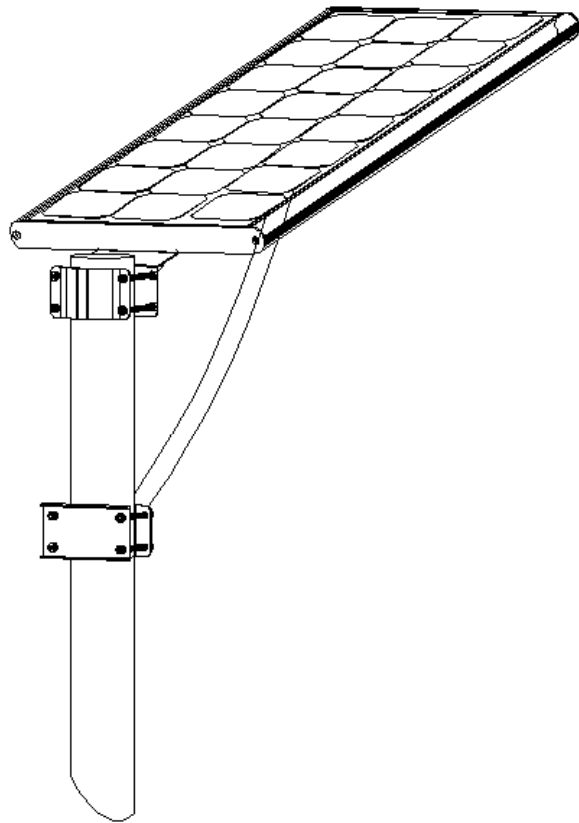
PVNSL-40W Integrated solar street light

Nomo Group Co., Limited

Tel: +86-0755-33133476

FAX: +86-0755-29021186

ADD: No.37 Chuangxin Road, Tangxia Chong, Shonggang, baoan District, Shenzhen, China



Performance SPECS

SPEC

PV Module

Sunpower 75W 18V Eff:21%

20W*2PCS,Total:30W; life time: 50000hours

LED chip,Bridgelux Chip

LED Source

Viewing angle , 70°*140°

Color Temperature: 3000K~3500K (warm white)
/6000K-6500K(cool white)

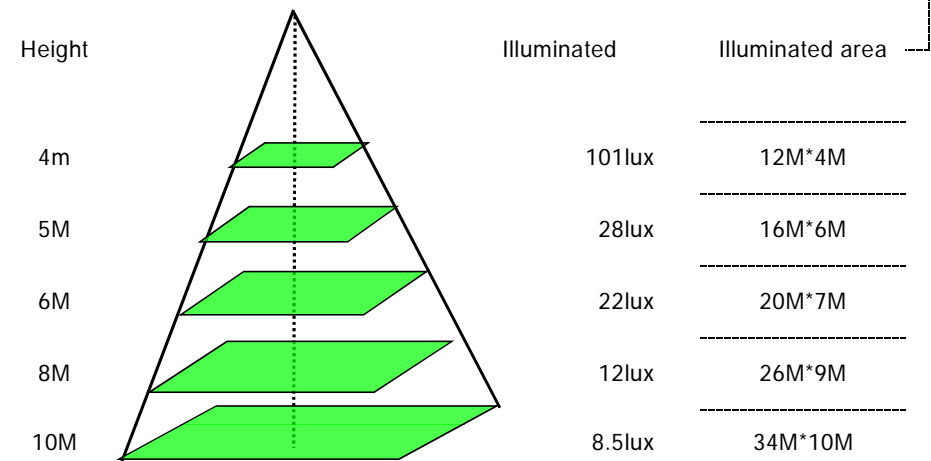
Color rendering index : >70

LED Efficiency:≥130LM/W

Initial Delivered Lumem Tj=25°C:5200lm

Normal Luminous Flux Tj=66°C:4800lm

Illumination Drawing



Battery Capacity

LI Fepo4,12.8V 36AH*1PCS

Life time: 5-8years

12.8V 5A

Timing mode:The multifunctional controller, can be set up

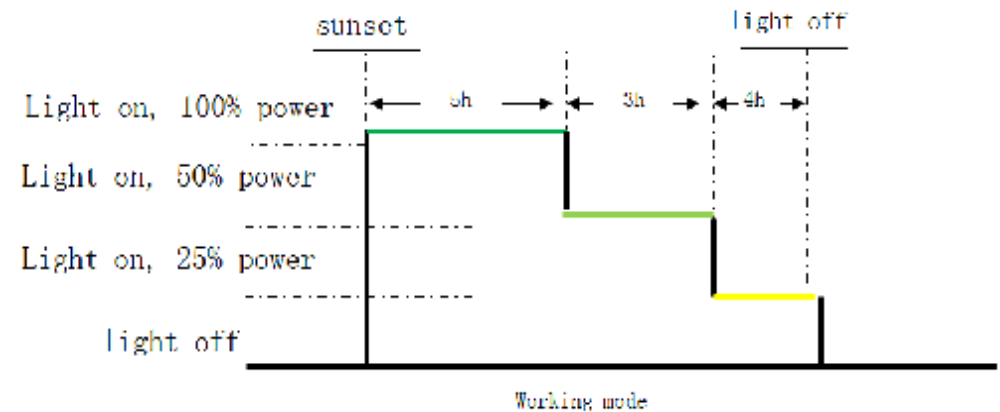
MPPT Controller

Circuit Protection: Overcharge, discharge, short circuit, open load, lightning protection and other functions

On grid backup:optional features

The outer solar panels: optional features

Working mode:



Working Time(Battery full)

Timing mode to:2Days

Other Spec

Charging Time (STC)

8Hours

Operating Environment

Charging:0~60℃
Discharging:-20~65℃

Certificate

CE、ROSH、IP65

Storage Temperature

0~45℃

Installation Height

4m to 8m light pole

Package Size/Quantity

1250×500×200mm/1set

Clearance of Installation

70mm-90mm

Net Weight/GW

20.5kg/24.5kg

Installation Diameter

15m to 25m

IP Rating

IP65

Photometrics

