

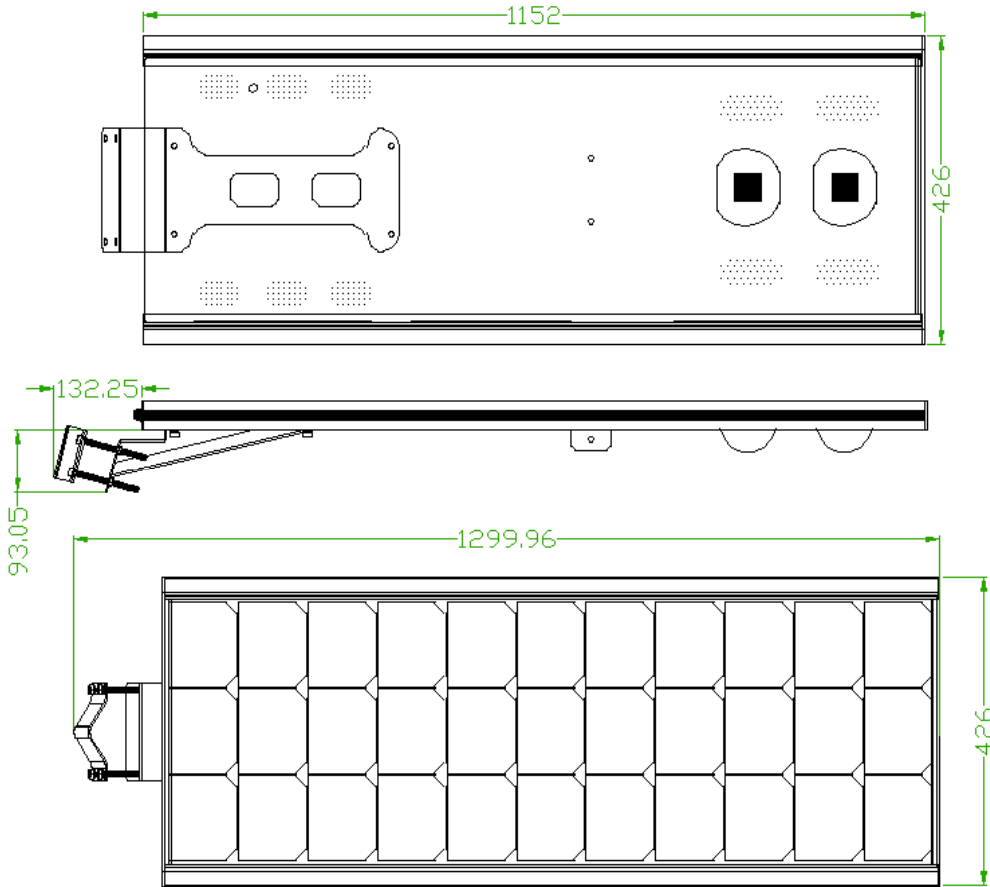
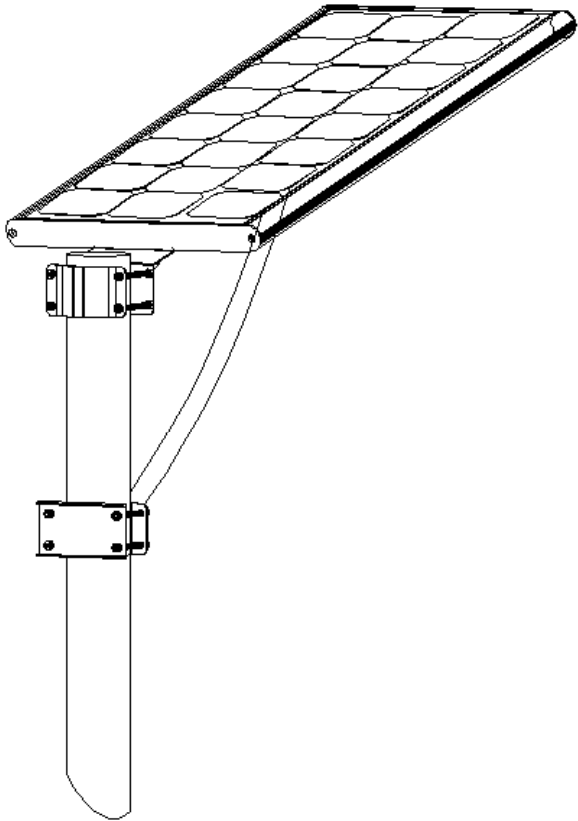
NOMO-PVNSL-50W Integrated solar street light

Tel: +86-0755-33133476

FAX: +86-0755-29021186

ADD: No.37 Chuangxin Road, Tangxia Chong, Shonggang, baoan District, Shenzhen, China

Nomo Group Co., Limited



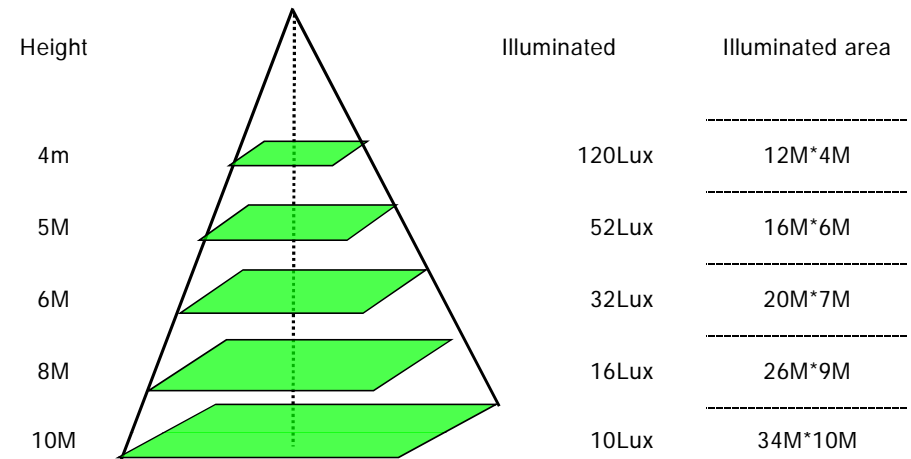
Performance SPECS

SPEC

PV Module Sunpower 90W 18V Eff:21%
 25W*2PCS,Total:50W; life time: 50000hours

LED Source LED chip,Bridgelux Chip
 Vieising angel , 70°*140°
 Color Temperature: 3000K~3500K (warm white) /6000K-6500K(cool white)
 Color rendering index : >70
 LED Efficiency:≥130LM/W
 Initial Delivered Lumem Tj=25°C:6500lm
 Normal Luminous Flux Tj=66°C:6000lm

Illumination Drawing(High 4 meters)



Battery Capacity

LIFepo4,12.8V 21AH*2PCS
 Life time: 5-8years
 12.8V 10A

Work mode:

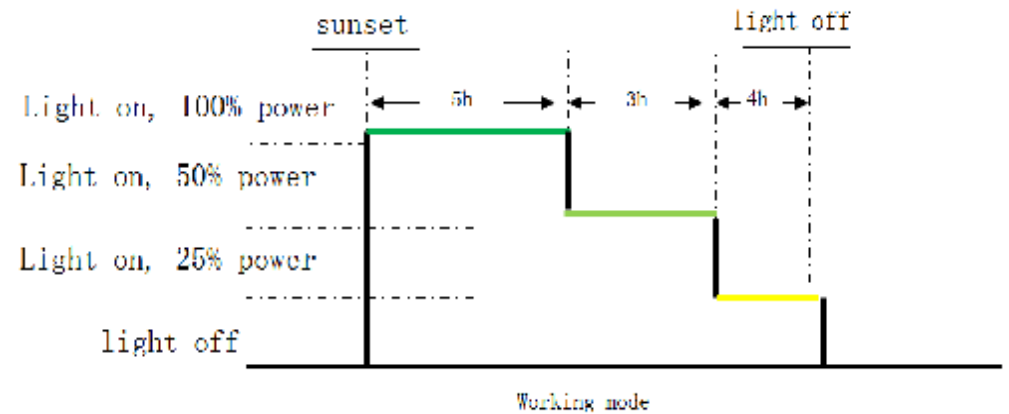
Timing mode:The multifunctional controller, can be set up

MPPT Controller

Circuit Protection: Overcharge, discharge, short circuit, open load, lightning protection and other functions

On grid backup:optional features

The outer solar panels: optional features



Working Time(Battery full)

Timing mode to:2Days

Other Spec

Charging Time (STC)

8Hours

Operating Environment

Charging:0~60℃
Discharging:-20~65℃

Certificate

CE、ROSH、IP65

Storage Temperature

0~45℃

Installation Height

4m to 8m light pole

Package Size/Quantity

1280×500×200mm/1set

Clearance of Installation

70mm-90mm

Net Weight/GW

24.5kg/27kg

Installation Diameter

15m to 25m

IP Rating

IP65

Photometrics

