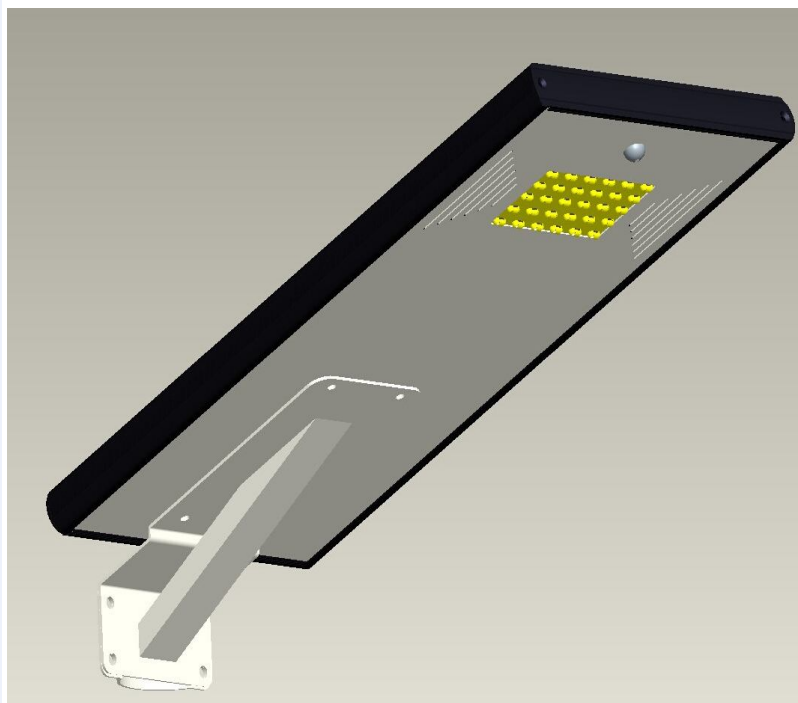
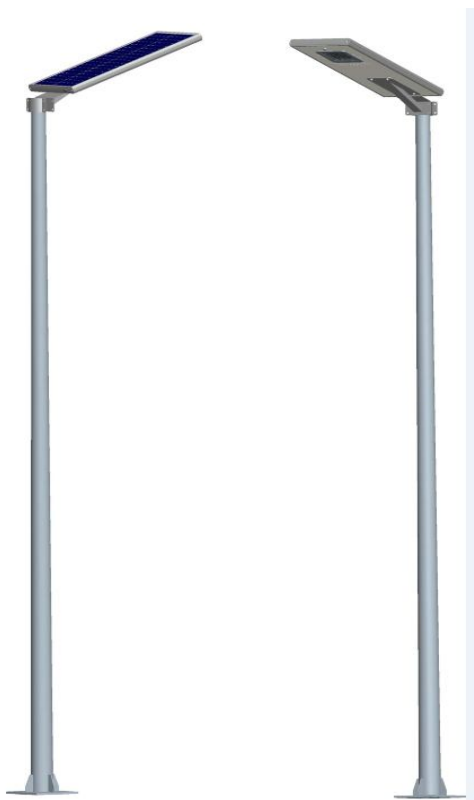


NOMO-PVSL-25W Integrated solar street light

Nomo Group Co., Limited

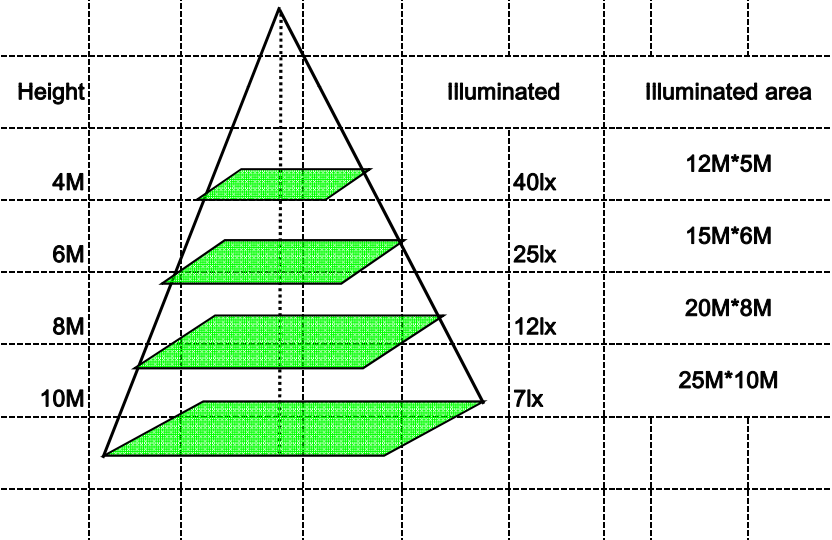
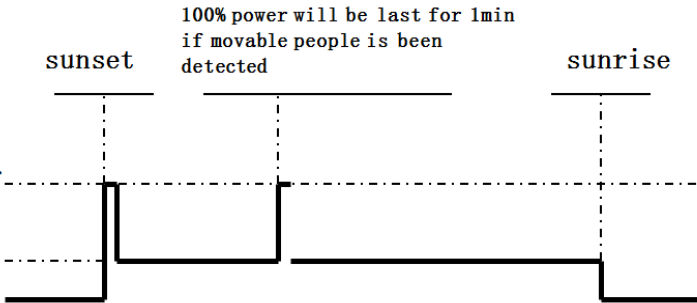
Tel: +86-0755-33133476
FAX: +86-0755-29021186
ADD: No.37 Chuangxin Road, Tangxia Chong, Shonggang, baoan District, Shenzhen, China



CE RoHS IP65

Performance SPECS

SPEC

PV Module	Poly or Mono 50W 18V	Illumination Drawing			
LED Source	0.83W*30PCS,25W; life time: 50000hours				
	LED chip,CREE				
	Viewing angel , 90°*126°				
	Color Temperature: 2700K~3500K (warm white) /5000K-6000K(cool white)				
	Color rendering index : >70				
	LED Efficiency: ≥110LM/W				
	Initial Delivered Lumem Tj=25°C:3200lm				
	Normal Luminous Flux Tj=66°C:2800lm				
Battery Capacity	Lithium-ion LI Fepo4,12.8V 21AH Life time: 5-8years	Work mode: 			
MPPT Controller	12.8V 5A Human body infrared induction model/Timing mode:The multifunctional controller, can be set up				
	Circuit Protection: Overcharge, discharge, short circuit, open load, lightning protection and other functions				
	On grid backup:optional features The outer solar panels: optional features				

Working Time(Battery full)	For two days	Other Spec	
Charging Time (STC)	8-10Hours	Operating Environment	-20~40℃/10~90%RH
Certificate	CE、ROSH、IP65	Storage Temperature	-20~45℃
Installation Height	4 m to 8m light pole	Package Size/Quantity	1020×420×210mm/1
Clearance of Installation	50mm-90mm	Net Weight/GW	13.0kg/15.0kg
Installation Diameter	15m to 25m	IP Rating	IP65

Photometrics

